

## PRODUCT DATA and APPLICATION SHEET

**Product Name:** Large Dolly GPO's 15 Amp

**Product Code:** GPO1/LD/15 Single GPO Large Dolly  
GPO1X/LDX/15 Single GPO with extra switch Large Dolly  
GPO2/LDX/15 Double GPO Large Dolly

**Description:** 15 Amp Large Dolly GPO's

**Features:**

- TESLA Large Dolly range has been designed with a soft touch switch mechanism with a profile over 4 times the size of a traditional switch Mech, this allows ease of use for Senior and Assisted living Installs
- The stylish design also suits Recreation Club and Modern Home Architecturally designed installations
- 15 Amp 250V
- AS/NZS3100, AS/NZS3112, AS/NZS3133

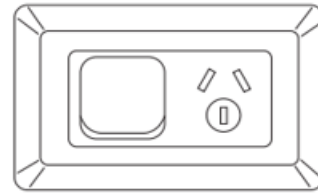


### Ordering Codes

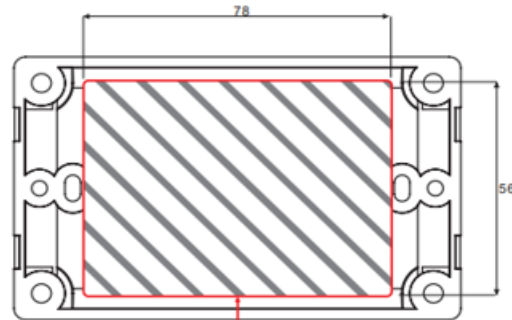
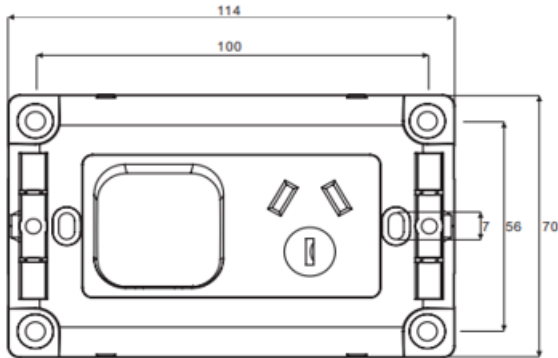
Part Number	Description	Box Qty	Carton Qty
GPO1/LD/15	Single GPO Large Dolly	10	100
GPO1X/LDX/15	Single GPO with extra switch Large Dolly Vertical	10	100
GPO2/LDX/15	Double GPO Large Dolly	10	100



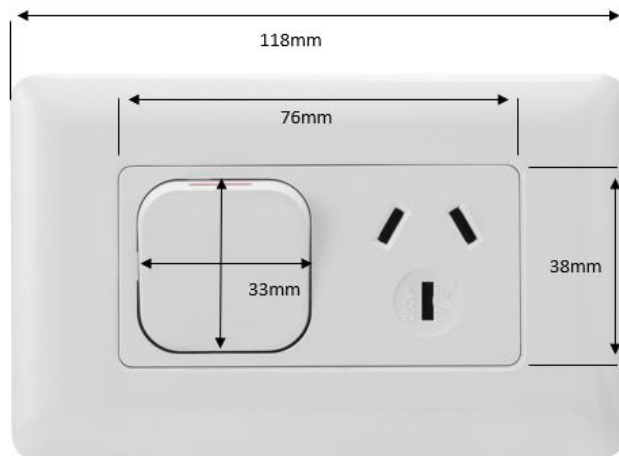
Single Switched Socket Outlet



GPO1/LD/15



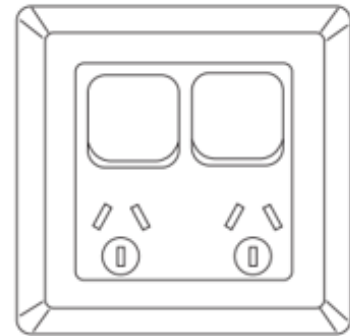
Maximum Clearance Area



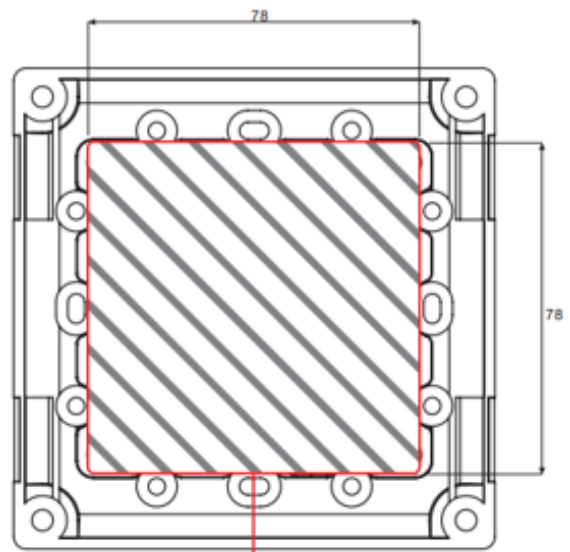
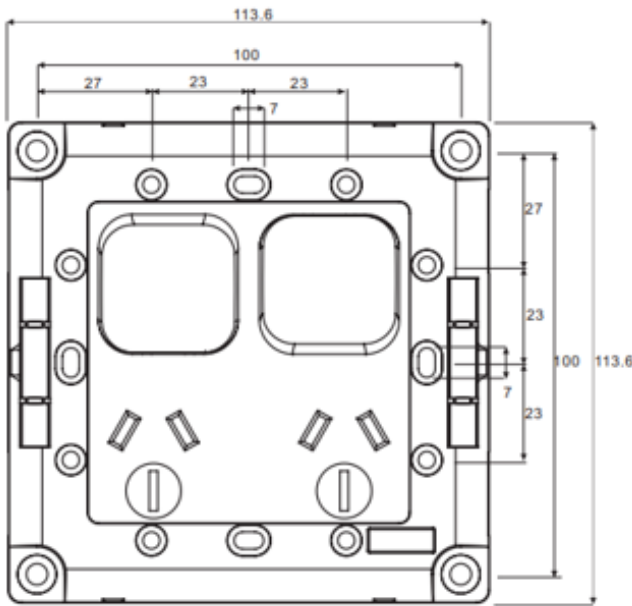
**Standard Size - Mounting**

Part Number	Description	Length	Width	Depth	Mounting Centre's
GPO1/LD/15	Single GPO Large Dolly	118mm	74mm	26mm	84mm
GPO1X/LDX/15	Single GPO with extra switch Large Dolly Vertical	118mm	118mm	30mm	84mm
GPO2/LDX/15	Double GPO Large Dolly	118mm	118mm	30mm	84mm

Twin Switched Socket Outlet and Large Format Switch Plates



GPO2/LDX/15



Maximum Clearance Area

