

OPTICAL FIBRE ASSEMBLIES

MTP® Cassette Modules



Part Number	STROMTPM12LCOM3CASS
	LC OM3 6 X DUPLEX MTP MODULE
	STROMTPM24LCOM3CASS
	LC OM3 12 X DUPLEX MTP MODULE



Stronglink MTP® Cassette Modules provide secure transition between MTP® and LC or SC discreet connectors. They are used to interconnect MTP® backbones with LC or SC patching.

Modular system allows for rapid deployment of high density data centre infrastructure as well as improved troubleshooting and reconfiguration during moves, adds and changes. Cassettes can be mounted in 1U or 3U 19" multislot chassis.

MTP® Cassettes contain factory controlled and tested MTP®-LC fanouts to deliver optical performance and reliability. Low loss MTP® Elite and LC or SC Premium versions are offered featuring low insertion loss for demanding power budget high speed networks.

Features

- ▶ MTP® (US Conec) brand MPO standard compliant multifibre connector
- ▶ LC (SFF Data Centre standard), SC discreet interface
- ▶ OS1/2, OM3, OM4 fibre grade (OM1 and OM2 available)
- ▶ 12 and 24 fibre versions - 12 LC (DX) / SC (SX) optical ports
- ▶ Polarity A (standard), B or C
- ▶ Factory Terminated and Tested
- ▶ High performance zirconia sleeve adaptors

Application

- ▶ Data Centre Infrastructure
- ▶ Storage Area Network - Fibre channel
- ▶ Parallel optics

Standards Compliance

- ▶ TIA/EIA-568-C.3 and ISO/IEC 11801
- ▶ IEC-61754-7 & EIA/TIA-604-5
- ▶ IEC-61754-20 & IEC-61754-14
- ▶ IEC-60793
- ▶ Compliant to Directive 2002/95/EC (RoHS) and REACH SvHC

Benefits

- ▶ Rapid Deployment- factory terminated modular system saves installation and reconfiguration time during moves, adds and changes
- ▶ MTP® Interface- MTP® US Conec brand components feature superior optical and mechanical properties
- ▶ Optimised Performance- low loss MTP® Elite, discreet Premium connectors and OM4 fibre assures low insertion losses and power penalties in tight power budget high speed network environment
- ▶ High Density- 12 or 24 fibre cassettes can be mounted in 1U space scaling up to 72 or in 3U space scaling up to 336 discreet connectors
- ▶ Reliability- 100% Tested- combination of high quality components and STRONGLINK manufacturing quality control guarantees product to the highest standards

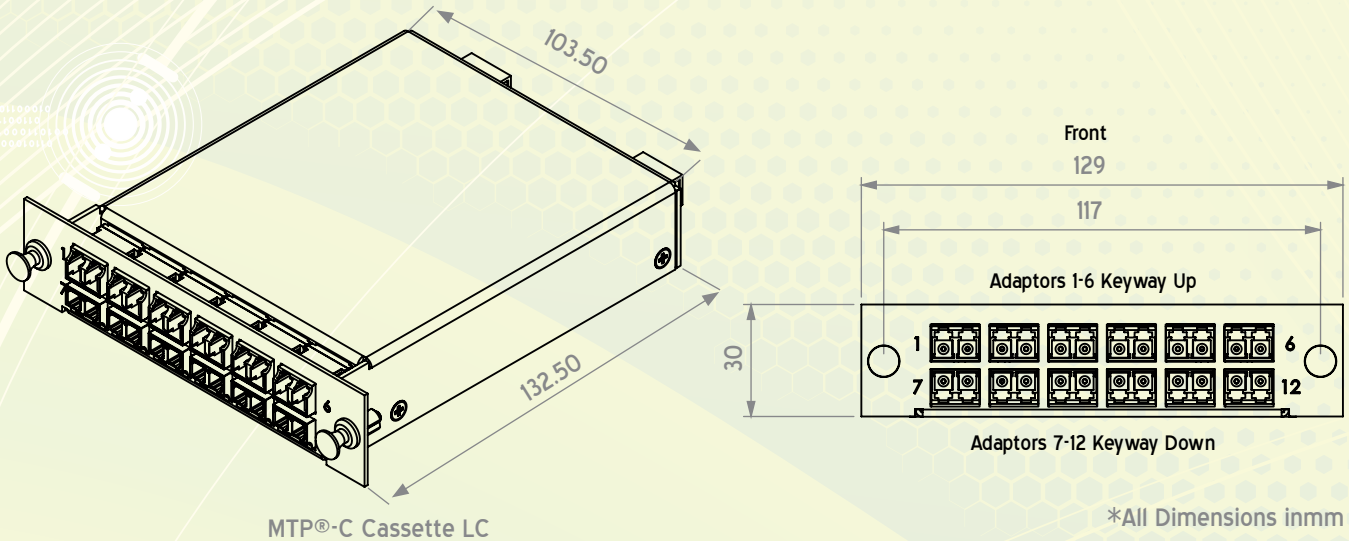
Connector Performance

CONNECTOR MATING	IL AVERAGE	IL MAX	RETURN LOSS
MTP® Elite (MM)	0.10dB	0.35dB	NA
MTP® (MM)	0.20dB	0.60dB	NA
LC, SC Premium (MM)	0.08dB	0.15dB	NA
LC, SC (MM)	0.15dB	0.30dB	NA
MTP® Elite (SM)	0.10dB	0.35dB	>60dB
MTP® (SM)	0.25dB	0.75dB	>60dB
LC, SC Premium (SM)	0.12dB	0.15dB	>55/65dB*
LC, SC (SM)	0.18dB	0.30dB	>55/65dB*

* UPC/APC

OPTICAL FIBRE ASSEMBLIES

MTP® Cassette Modules



Technical Specification

ELEMENT	CHARACTERISTIC
Fibre	OS1/OS2, OM1*, OM2*, OM3, OM4 (ISO/IEC 60793)
Adaptors	MTP® US Conec (IEC-61754 & EIA/TIA-604-5) Body Colour: Black Polarity: Keyway up- Keyway down, Keyway up- Keyway up LC Duplex (IEC 61754-20) Body Colour: Beige (MM), Aqua (MM), Blue (SM/UPC), Green (SM/APC) Yellow (OS1/OS2), Orange (OM1, OM2) Sleeve Material: Zirconia
Connectors	MTP® US Conec (IEC-61754-7 & EIA/TIA-604-5) Boot Colour: Black Body Sleeve Colour: mm (Beige), mm Elite (Aqua), SM (Green), SM Elite (Yellow) LC (IEC 61754-20) Boot Colour: White (MM and SM/UPC), Green (SM/APC) Body Colour: Beige (MM), Blue (SM), Green (SM/APC)
Cassette Material	16 Gauge Aluminium (15mm Thickness) with a black powder coat finish Colour RAL9004
Operating Temperature	-10 ~ +60°C
Storage Temperature	-40 ~ +70°C
Packaging Dimension	150 x 50 x 215mm
Weight	0.55Kg

Part Number

					CASS		/Z
MTP® Connector		Fibre Count	Discreet Connector	Fibre Type		Polarity	
MTP® Male (standard)	MTPM	12	LC (LC)	OS1/OS2	09	A	-
MTP® Male Elite®	MTPEM	24	SC (SC)	OM1	62	B	B1 B2
				OM2	50		
				OM3	OM3		
				OM4	OM4		

Female available on request

Example Part Number: MTPM24LCOM3CASS/Z

This part number refers to 24 fibres OM3 cassette with MTP® male rear and LC front interface, polarity method A or C.

