

PRODUCT DATA AND APPLICATION SHEET

PRODUCT NAME Time Control Analogue
PRODUCT CODE SUL181H – Daily Program Analogue Time Switch

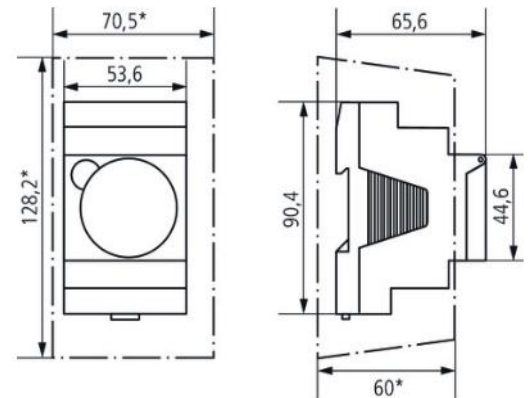
DESCRIPTION

- Analogue time switch with one channel
- Daily program with power reserve
- Screw terminals
- Synchronised with mains
- 48 switching segments
- Simple summer/winter time correction
- Time can be changed clockwise or anti-clockwise

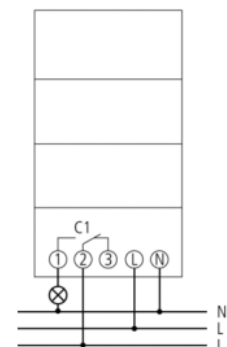


TECHNICAL DATA

Operating Voltage	230VAC
Frequency	50 – 60 Hz
Number of Channels	1
Width	3 modules
Installation Type	DIN rail
Type of Connection	Screw Terminals
Drive	Quartz-Controlled Stepper Motor
Power Reserve	3 Days
Switching capacity at 250V AC cos $\phi = 1$	16 A
Switching Output	Potential-free and phase independent
Number of switching segments	48
Stand-by consumption	0,1 W
Test approval	VDE
Switching capacity at 250 V AC, cos $\phi = 0.6$	4000 cycles
Shortest switching times	30 mins
Programmable every	30 mins
Time accuracy at 25°	$\leq \pm 1$ s/day (quartz)
Type of contact	Changeover contact
Housing and insulation materials	High-temperature resistant, self-extinguishing thermoplastic
Type of protection	IP 20
Protection class	II according to EN 60 730-1
Ambient temperature	-20° C.... +50° C



Connection Example



*Subject to technical changes and misprints
The load data are determined with exemplary selected illuminants and therefore are typical data due to Large number of available products*